



FIBER OPTIC

**EOF0245  
METRIC  
FEEDTHROUGH  
M14 x 1.5**



FIBER OPTIC  
ACCESSORIES

# FEEDTHROUGH M14 x 1.5

Temperature range	-40 °C to +120 °C
Pressure	2 bar at 24 h
Vacuum	10 <sup>-6</sup> Torr
Optical Interface Glass Fiber	ST 200 µm
Probes	Compatible with all OPTOCON TS series fiber optic temperature probes.
Thread	M14 x 1.5

## DESCRIPTION

These optical feedthroughs are specifically designed for installation on tank walls and oil transformers. They have a leak-proof interface and require no maintenance. On both sides there are standard ST connector. There are no moving parts or loose optical cables.

Sealing according DIN 3869 variants:

FKM -15 °C / 200 °C (sealing only)  
NBR -35 °C / 100 °C

Tool to use:

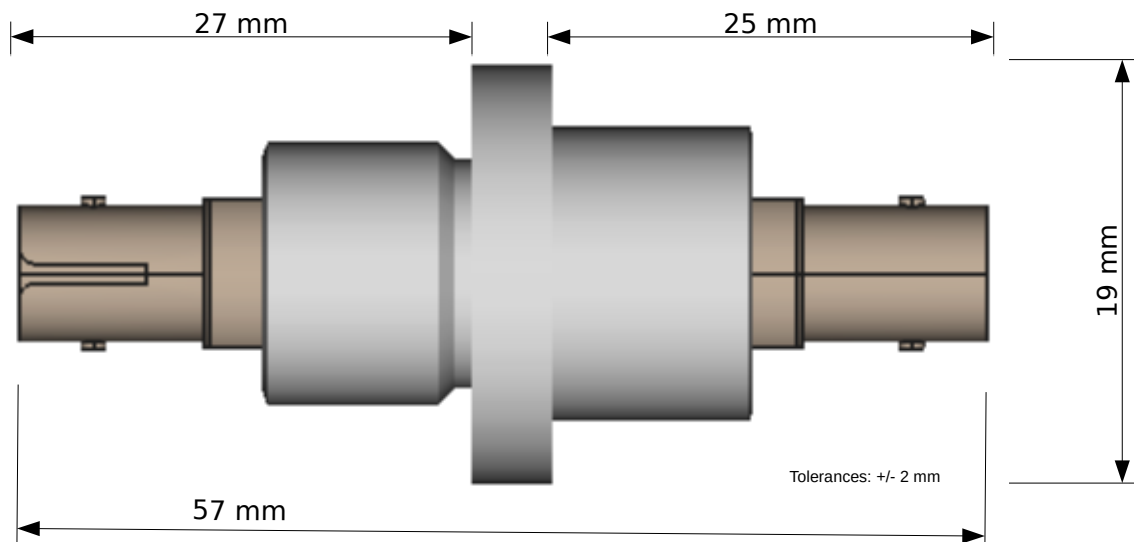
wrench size 14 mm, tightening with 20 Nm

Recommendation for a removable connection:

Secure with Loctite 243 plus "activator for stainless steel"

Disclaimer: Customer is responsible for application tightness

## DIMENSIONS



ORDERING CODE

EOF0245