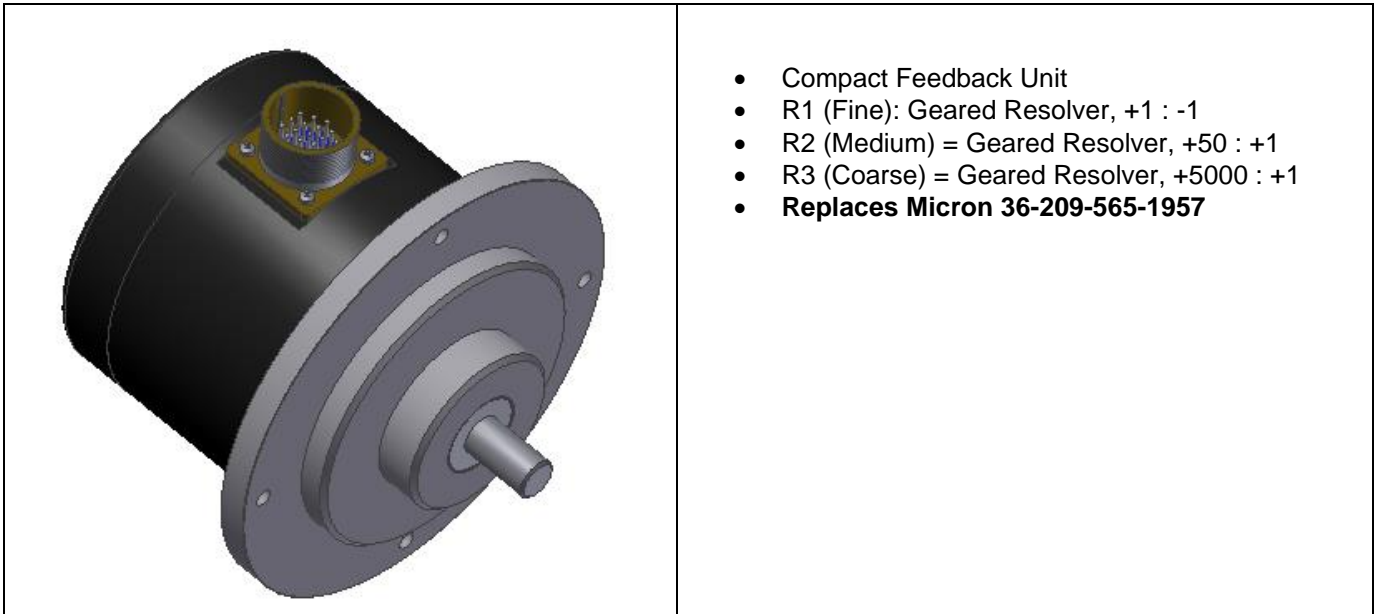


9200.00.207



- Compact Feedback Unit
- R1 (Fine): Geared Resolver, +1 : -1
- R2 (Medium) = Geared Resolver, +50 : +1
- R3 (Coarse) = Geared Resolver, +5000 : +1
- **Replaces Micron 36-209-565-1957**

## Performance Specifications

Temperature	-15°C to +60°C
Humidity	0-95% RH, Non-Condensing
Protection	IP64

<b>Resolver</b>	<b>Harowe 11BRW-300-F95A or Micronor R11WF103</b>
<b>Ratio (Fine)</b> Gears	<b>R1 = +1: -1</b> Antibacklash Z75 / Z75 Modul 0.3
<b>Ratio (Medium)</b> Gears	<b>R2 = +50 : +1</b> Harmonic Drive 50:1 + Z75/Z75 Modul 0.3
<b>Ratio (Medium)</b> Gears	<b>R3 = +5000 : +1</b> Harmonic Drive 50:1 + Harmonic Drive 100:1
Type	Control Transformer
Speed	1
Frequency (Hz)	2500
Transformation Ratio (Vout/Vin)	0,50

Specification not to be changed without customer approval

9200.00.207

## Label

**Position Transducer** App.Nr. M-XXXXXX  
R1=1:1 R2=50:1 R3=5000:1 per TD 9200.00.207  
Replaces Micron 36-209-565-1957

MICRONOR P/N 9200.00.207

USA +1-805-389-6600

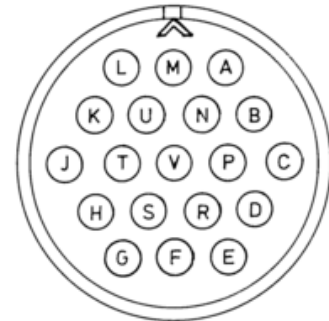
EUR +41-44-843-4020

sales@micronor.com

www.micronor.com

## Electrical Wiring

Wire colour	Resolver	Function	Connector / pin no.
Black/White	R1 (Fine)	Rotor 2	A
Red/White	R1	Rotor 1	B
Red	R1	Stator 1	C
Yellow	R1	Stator 2	D
Black	R1	Stator 3	E
Blue	R1	Stator 4	F
Black/White	R2 (Medium)	Rotor 2	G
Red/White	R1	Rotor 1	H
Red	R1	Stator 1	J
Yellow	R1	Stator 2	K
Black	R1	Stator 3	L
Blue	R1	Stator 4	M
Black/White	R3 (Coarse)	Rotor 2	N
Red/White	R1	Rotor 1	P
Red	R1	Stator 1	R
Yellow	R1	Stator 2	S
Black	R1	Stator 3	T
Blue	R1	Stator 4	U
			V (No Connection)



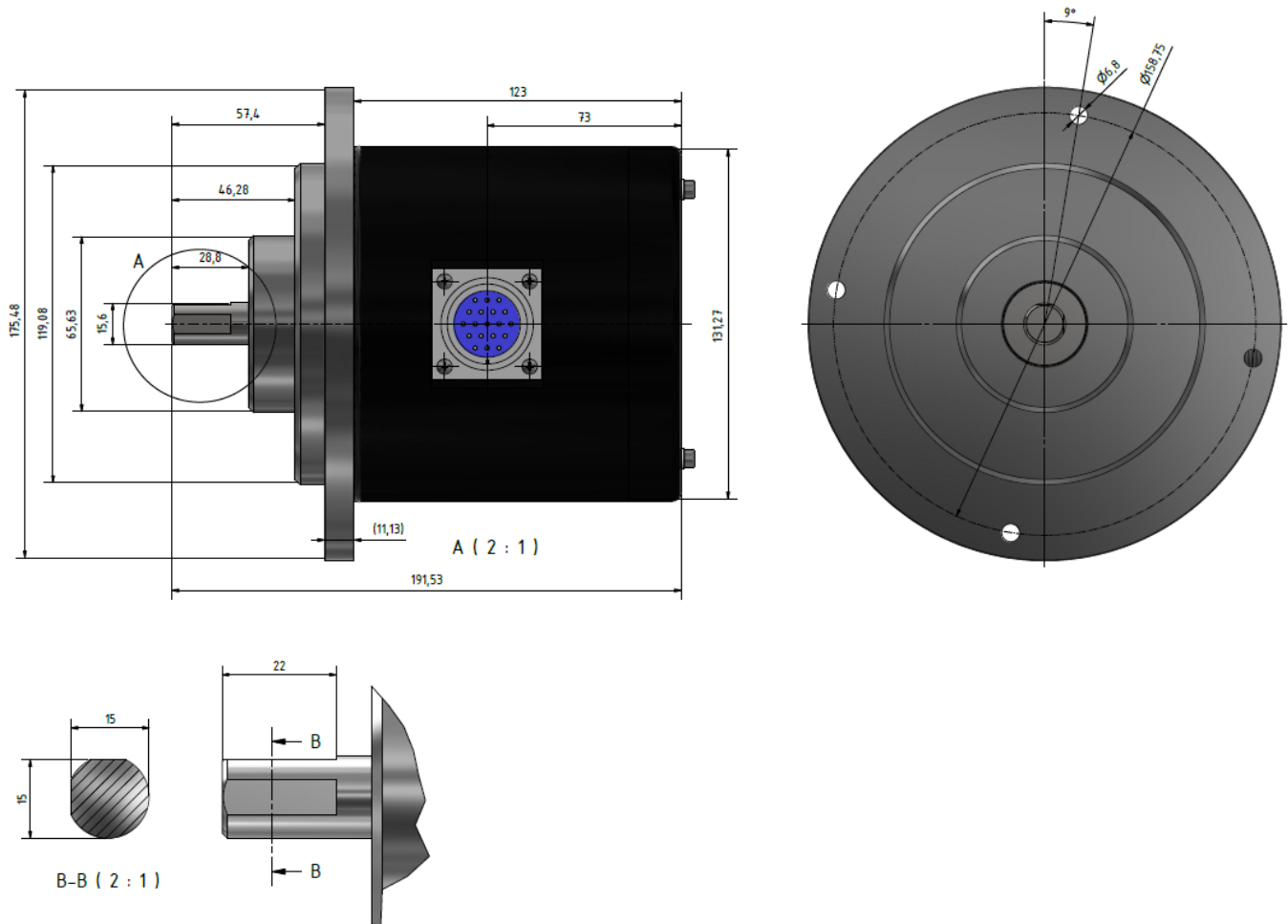
Mounted Receptacle:  
MS3102A-22-14P (19 Pin) (Male/Pin Receptacle)

Mating Connector:  
MS3106E-22-14S (19 Pin)  
(Female/Socket Straight Plug With Cable Clamp)

Specification not to be changed without customer approval

9200.00.207

Reference drawing



For Sales and Service in NORTH AMERICA:

**micronor**  
**sensors**

+1-805-389-6600

sales@micronor.com

Specification not to be changed without customer approval